



# WB

## MiniWallbracket- Polycarbonate Lens



WALLPACKS

### FEATURES & APPLICATIONS

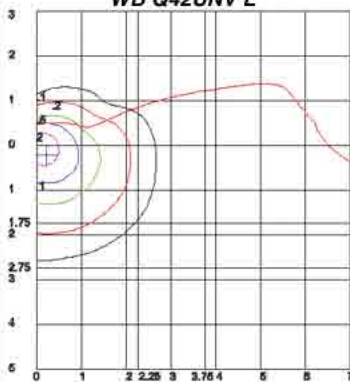
#### Features:

- Internal Photo Control Included
- Heavy Duty Die-Cast Aluminum Mounting Plate
- Injection Molded Polycarbonate Diffuser with UV Inhibitors
- 1/2" NPT Conduit Entrances
- Listed for Wet Locations
- Lamp Included

#### Applications:

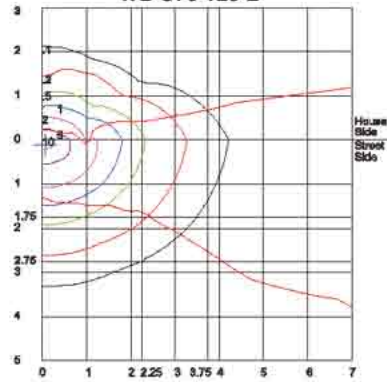
- Residential Buildings and Exteriors
- Entry Ways and Stairways
- Parking Garages
- Storage Areas

**WB Q42UNV L**



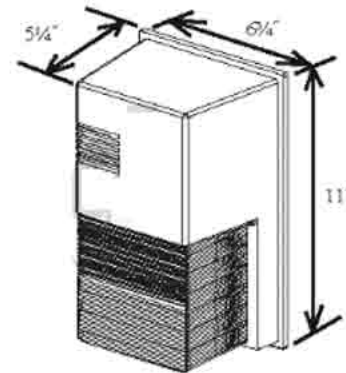
Distance in Units Of Mounting Height  
Values Based On 10 Foot Mounting Height  
1/2 Maximum Candela Trace Shown As Dashed Curve  
(\*) = Medium Candela Point

**WB S70 120 L**



Distance in Units Of Mounting Height  
Values Based On 10 Foot Mounting Height  
1/2 Maximum Candela Trace Shown As Dashed Curve  
(\*) = Medium Candela Point

### DIMENSIONS



### ORDER INFORMATION

Typical Ordering Number:



**1. Fixture Type**

**2. TYPE-WATTAGE**

**3. Voltage**

**4. Options**

Compact Fluorescent:

- Q-26w-CFL
- Q-32w-CFL
- Q-42w-CFL

120-277v: UNV

LAMPED: L

High Pressure Sodium:

- S-35w
- S-50w
- S-70w



## PHOTOCELL INCLUDED

