

**Fluorescent Vaporproof Highbay
Four or Six Lamp**



T8 or T5

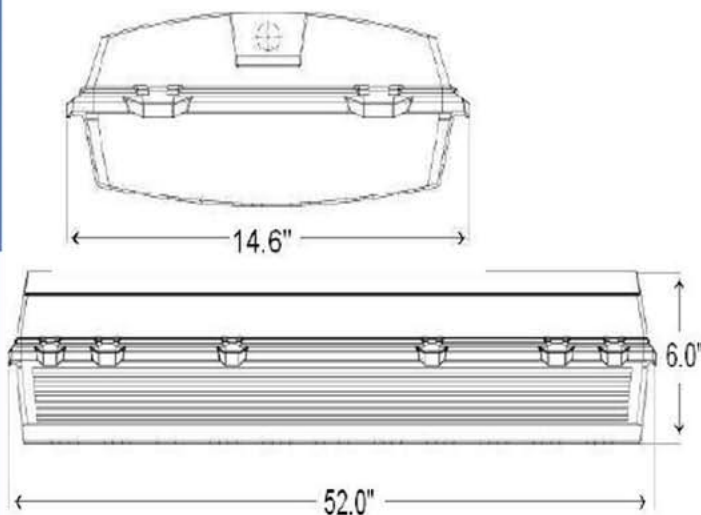
Applications

- * Entrance Lighting
- * Car Washes
- * Public Access
- * Parking Structures
- * Beverage Industry
- * Food Processing
- * Construction Sites
- * Industrial Lighting

Certifications



Dimensional Drawings



Description

VT6 series vaporproof highbay is engineered for performance down to the smallest detail. It is fully gasketed to provide total protection from dust and moisture penetration. It withstands corrosion, splashing water, hose-directed water, damage from external ice formation, and temporary submersion. This rugged fixture operates four or six lamps and as a standard feature comes with a major brand ballast.

Features

Housing

- * One piece upper body; no seams to crack, break, or leak
- * Glass fiber reinforced fiberglass is rugged and corrosion resistant
- * 5VA Flammability Rating
- * Stainless steel hardware for maximum durability
- * Twelve latches for positive lens retention
- * White polyethylene molded end plugs for use as knock outs
- * High gloss, baked enamel reflective front
- * Available MIRO-4 reflector

Gasket

- * Closed cell polyester gasket
- * Poured gasket seamlessly fills channel for maximum seal
- * Gasket has dry skin that will not stick to the mating surface
- * High gasket compression recovery ensures a solid seal over life of fixture

Diffuser

- * Injection molded for maximum strength and precise detail
- * Frosted ends and lineal prisms on sides reduce brightness
- * Continuous formed perimeter provides for positive seal
- * Materials:
 - 100% Virgin Impact Resistant Acrylic
 - Long lasting clarity and resistance to weathering
 - OR
 - UV Stabilized Polycarbonate
 - Maximum impact resistance

Installation

- * Shipped fully wired with major brand ballast.
- * Easy access to wiring compartment and ballast via removable gear tray
- * Tethered to housing by two lanyards for extra safety
- * NEC compliant luminaire power disconnect standard
- * Mounting:

- Standard: two versatile V-Hook mounting brackets
- OR
- Optional: wire hanging kit

Ballast

- * Electronic, Inherent Thermal Protection, Class P, Sound rated A
- * UL Listed

Quality Assurance

- * System Tested, Designed, Approved, and Manufactured by Howard Lighting Products in Mendenhall, Mississippi.





VT4 or VT6 Series

- VT432UNV
- VT632UNV
- VT432UNVHE
- VT632UNVHE

- VT454UNV
- VT654UNV

- VT454-480V
- VT654-480V



Cable or V-hook mounting

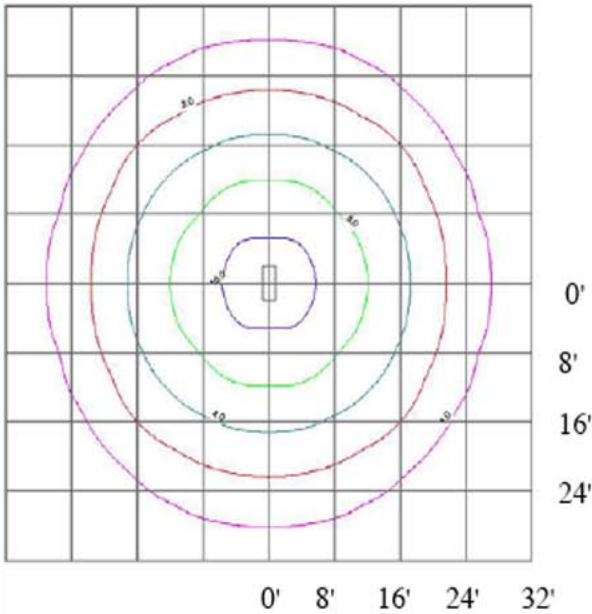
MOUNTING OPTIONS:
No holes need to be drilled through the housing.
Stainless steel V-hook with hook hangers (shown above) - UL rated for 4X fixture weight.
Cable hangers (not shown) are compatible with cable systems for easy installation.

ENTRY HOLES:
For: 1/2" NPT / M20 fittings
Options:
Hole in 1 end or holes in both ends

LATCHES:

- Stainless steel latches provide durability and chemical resistance.
- Capive design. Will not fly off during maintenance.
- 12 latches per unit assure positive lens retention.
- Can easily be made tamper resistant.

Iso-Footcandle Plot



16' Mounting Height, Ballast: B2 or 432IUNV-HE Universal

Lamps: Six F32T8/841/HL/ECO

Zonal Lumens Summary

Zone	Lumens	% Lamp	% Fixture
0 - 3'0"	4080	2.2	2.8
0 - 4'0"	6613	3.6	4.6
0 - 6'0"	11426	6.1	7.9
0 - 9'0"	14472	7.8	10.0
9'0" - 12'0"	0	0	0
9'0" - 15'0"	0	0	0
9'0" - 18'0"	0	0	0
0 - 18'0"	14472	7.8	10.0

Coefficients of Utilization - Zonal Cavity Method

RC	80%				70%				50%				30%				10%			
	70%	50%	30%	10%	70%	50%	30%	10%	50%	30%	10%	50%	30%	10%	0%	0%	0%	0%		
0	93	93	91	91	91	91	87	87	87	83	83	83	80	80	80	80				
1	78	75	83	79	76	73	76	73	71	73	71	69	68	66	66	66				
2	65	61	75	69	64	60	66	62	59	64	60	57	55	55	55	55				
3	56	51	68	61	55	50	59	53	49	56	52	48	46	46	46	46				
4	48	43	63	54	48	43	52	47	42	50	45	42	39	39	39	39				
5	42	37	58	48	42	37	47	41	37	45	40	36	34	34	34	34				
6	37	32	53	44	37	32	42	36	32	41	36	32	30	30	30	30				
7	34	29	50	40	33	29	38	33	28	37	32	28	26	26	26	26				
8	30	26	46	36	30	26	35	30	25	34	29	25	24	24	24	24				
9	27	23	43	33	27	23	32	27	23	32	26	23	21	21	21	21				
10	25	21	41	31	25	21	30	25	21	29	24	21	19	19	19	19				

Effective floor cavity reflectance 20%

*Specifications subject to change without notice



Edsun Lighting Fixture Mfg. • 569 W 17 ST., Hialeah, FL 33010

PH.: 305 888-8849 • FAX: 305-883-0005

EMAIL: sales@edsunlighting.com

WEB PAGE: <http://www.edsunlighting.com>

VT



MOUNTING OPTIONS:

- No holes need to be drilled through the housing.
- Stainless steel V-hook with hook hangers (shown above) - UL rated for 4X fixture weight.
- Cable hangers (not shown) are compatible with cable systems for easy installation.

ENTRY HOLES:

For: 1/2" NPT / M20 fittings

Options:

Hole in 1 end or holes in both ends.



LATCHES:

- Stainless steel latches provide durability and chemical resistance.
- Captive design. Will not fly off during maintenance.
- 12 latches per unit assure positive lens retention.
- Can easily be made tamper resistant.

4 or 6 LAMP T5 or T8

Vaportite - Highbay



GASKETED ENCLOSURES

Vaportite

Versatile design for T5 and T8 lamps. Protects your lighting in demanding environments.

Very durable
Easy to clean and service
Stainless Steel Hardware
Impact resistant lenses.



Edsun Lighting Fixture Mfg.

569 W 17 ST., Hialeah, FL 33010
 PH.: 305 888-8849 • FX: 305 883-0005
 Email: sales@edsunlighting.com
 WEB: www.edsunlighting.com



Width: 14.61" • 371mm
 Length: 51.91" • 1319mm
 Depth: 5.95" • 151mm

WASH DOWN DESIGN:
 Citadel 4 has been carefully designed to minimize horizontal surfaces and latch pockets that are prone to retaining debris.



CERTIFICATIONS:

