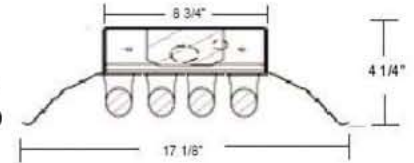


"CI" 2 LIGHT Industrial

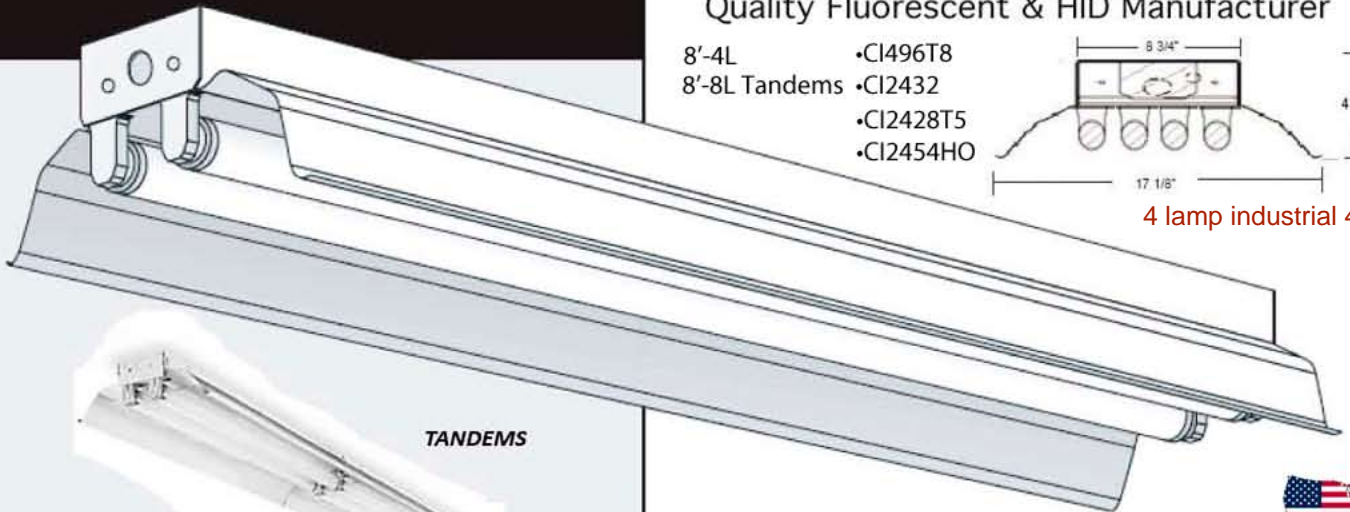


Quality Fluorescent & HID Manufacturer

- 8'-4L •CI496T8
- 8'-8L Tandems •CI2432
- CI2428T5
- CI2454HO



4 lamp industrial 4' \$ 8'



GENERAL DESCRIPTION

A high quality all-purpose industrial with symmetrical reflector. All fixture parts snap together for ease of installation and maintenance. Side knockouts are included for convenience outlet, pull switch and conduit. Sides and back have knockouts for chain hangers.

SPECIFICATIONS

Housing: Die-formed 21-gauge cold rolled steel with side knockouts for convenience outlet, pull switch and conduit. Sides and back have knockouts for chain hanging. U.L. listed.

Reflector: Same reflector can be used for shallow and deep fixtures. One end of reflector slides into socket plate and other end is held on by a cam-lock (not included). Fabricated in two sections for 72" and 96" bodies to simplify installation. Aligners available for tandem configurations and continuous runs.

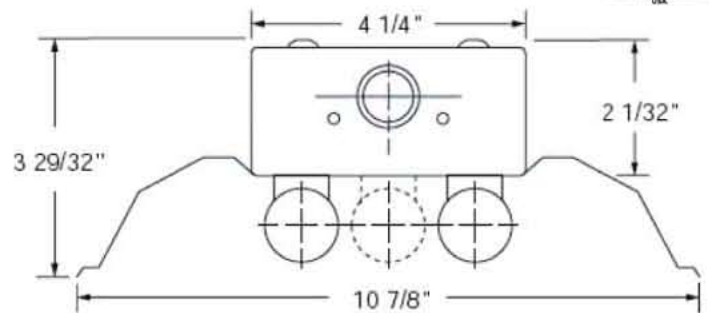
Ends and Socket Plates: Snap-in type. Ends also function as couplers for continuous row mounting.

Finish: Phosphate coating-baked white enamel with minimum 85% reflectivity.

Mounting: Fixtures designed for surface, stem or chain hanging. Can be installed as individual units or in continuous rows.

NOTES

Dimensions subject to change without notice.



Series End View
"CI"



ORDERING INFORMATION

Catalog No.	Lamps	Length	Type
T5			
CI228	2	48"	Electronic
CI254HO	2	48"	Electronic
CI2221	4	72"	Electronic-tandem
CI2239HO	4	72"	Electronic-tandem
CI2228	4	96"	Electronic-tandem
CI2254HO	4	96"	Electronic-tandem
T8			
CI232	2	48"	Electronic
CI296T8	2	96"	Electronic
CI296T8HO	2	96"	Electronic
CI2225	4	72"	Electronic-tandem
CI2232	4	96"	Electronic-tandem
T12			
CI240	2	48"	Magnetic
CI248	2	48"	Magnetic
CI272	2	72"	Magnetic
CI296	2	96"	Magnetic
CI2230	4	72"	Magnetic-tandem
CI2240	4	96"	Magnetic-tandem

Now available in 3 lamp T8 and T5 for 4' fixture and 6 lamp T8 & T5 on 8', 120-277V UNV ballasts.