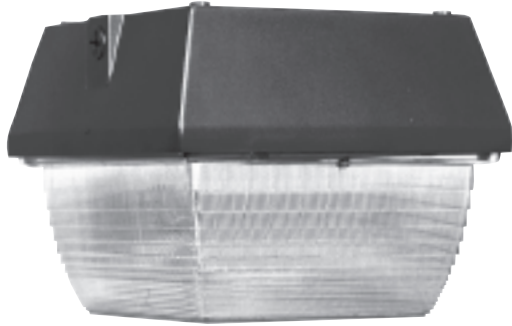


# “CL8”

8 x 8  
Square Vandalier  
Series



Listed for Wet Locations



Fluorescent & HID Manufacturer

*Committed To Quality!*

## FEATURES

- Die Cast Aluminum Housing
- Injection Molded Lens
- Threaded Conduit Access
- Tamper Proof Screws Available
- Lamp Included

50 to 70 watts MH | HPS | Fluorescent

## ORDERING INFORMATION

Catalog #	Description	Volts	Ballast Type	Lamp
<b>METAL HALIDE</b>				
CL8MH70MTMED	70 watt MH	Quad V	HX-HPF	MH70/U/M
<b>HIGH PRESSURE SODIUM</b>				
CL8HPS50MTMED	50 watt HPS	120 V	R-NPF	C50S68/M
CL8HPS70MTMED	70 watt HPS	120 V	R-NPF	C70S62/M
<b>FLUORESCENT</b>				
CL8Q42UNV	13-42WCF4Pin	120-277 V	UNV	F13-42TBX

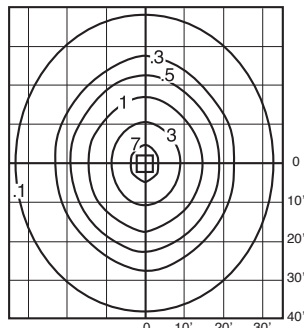
## ACCESSORIES (FIELD INSTALLED)

Catalog #	Description	Std. Pkg.
	Clear Prismatic Diffuser	1
	Tamper-proof screws	4
	Tamper-proof screw tool	1

Clear prismatic injection molded polycarbonate/acrylic refractor lens with UV inhibitors that minimize discoloration.

## PHOTOMETRICS

70W HPS @ 10' Mounting Height  
Isofootcandles



## DIMENSIONS

Approx. Weight: 12 lbs.

