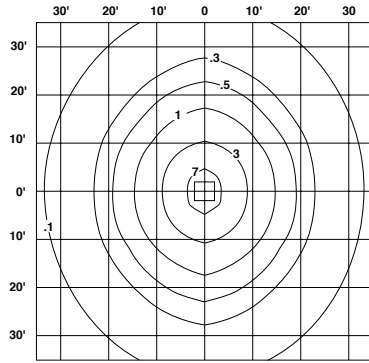
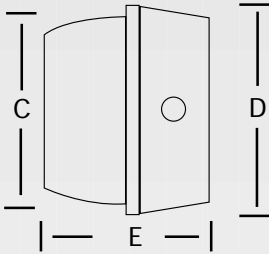
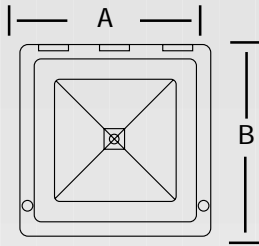


CL Series – 8" & 12" Square/HID Canopy

LISTED FOR DAMP & WET LOCATIONS

Dimensions

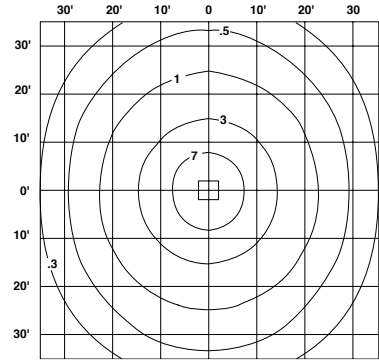
	A	B	C	D	E	Approx. Ship Wt.
CL Series	8.625"	8.625"	8"	9"	7.375"	15 LBS
CL Series	12"	12"	12"	12.5"	8.5"	17 LBS



70W HPS CL8 Series at 10' mounting height.

8" SQUARE PRISMATIC PHOTOMETRIC DATA

Lamp: High Pressure Sodium
 Wattage: 70W
 Lumens: 6,300
 Lens: Polycarbonate



150W HPS CL12 Series at 15' mounting height.

12" SQUARE PRISMATIC PHOTOMETRIC DATA

Lamp: High Pressure Sodium
 Wattage: 150W
 Lumens: 16,000
 Lens: Polycarbonate

Perfect for schools, recreation areas, garages, hotels/motels and institutions, the CL Series vandal resistant HID fixtures are made of a die formed heavy aluminum, coated with a five-stage powder coat. Available with either standard or tamperproof screws.

Optics

The clear prismatic polycarbonate refractor with UV inhibitors minimize discoloration. An internal or external hood is available to control light distribution when wall mounted in the vertical position.

Lamps

The CL8 Series utilizes medium base HPS 35-70W, Quad PL42w fluorescent and metal halide lamps in -70W, where the CL12 Series uses medium based 70-150W HPS, Quad 70w fluorescent 50-150W metal halide lamps.

Ballast

The metal halide ballast is a high reactance, high power factor ballast, available in multi-tap (120/208/240/277V). The HPS is standard with normal power factor but can be ordered with high power factor as an option. The fluorescent utilizes a "UNV" ballast.

Mounting

The CL8 & CL12 fixtures can be either ceiling mounted or wall mounted.

Warranty

The CL8 & CL12 Series fixtures sold by Edsun Lighting, unless otherwise specified, will be warranted to be free of defects in materials and workmanship under normal use and service for a period of two (2) years from date of shipment. If found to be defective by us, we will replace the non-performing components.

